

RTA Gateway – N34 Hardware Jumper Configuration



Trademarks

CompactLogix, ControlLogix, & PLC-5 are registered trademarks of Rockwell Automation, Inc.

EtherNet/IP is a trademark of the Open DeviceNet Vendors Association (ODVA).

MicroLogix, RSLogix 500, and SLC are trademarks of Rockwell Automation, Inc.

Microsoft, Windows, and Internet Explorer are registered trademarks of Microsoft Corporation.

All other trademarks and registered trademarks are the property of their holders.

Limited Warranty

Real Time Automation, Inc. warrants that this product is free from defects and functions properly.

EXCEPT AS SPECIFICALLY SET FORTH ABOVE, REAL TIME AUTOMATION, INC. DISCLAIMS ALL OTHER WARRANTIES, BOTH EXPRESSED AND IMPLIED, INCLUDING BUT NOT LIMITED TO IMPLIED WARRANTIES OF MERCHANTABILITY OR FITNESS FOR A PARTICULAR APPLICATION. THIS LIMITED WARRANTY GIVES YOU SPECIFIC LEGAL RIGHTS. YOU MAY ALSO HAVE OTHER RIGHTS, WHICH VARY FROM STATE TO STATE.

The examples and diagrams in this manual are included solely for illustrative purposes. Because of the many variables and requirements associated with any particular application, Real Time Automation, Inc. cannot assume responsibility or liability for actual use based on the examples and diagrams. Except as specifically set forth above, Real Time Automation and its distributors and dealers will in no event be liable for any damages whatsoever, either direct or indirect, including but not limited to loss of business profits, income, or use of data. Some states do not allow exclusion or limitation of incidental or consequential damages; therefore, the limitations set forth in this agreement may not apply to you.

No patent liability is assumed by Real Time Automation with respect to use of information, circuits, equipment, or software described in this manual.

Government End-Users

If this software is acquired by or on behalf of a unit or agency of the United States Government, this provision applies: The software (a) was developed at private expense, is existing computer software, and was not developed with government funds; (b) is a trade secret of Real Time Automation, Inc. for all purposes of the Freedom of Information Act; (c) is "restricted computer software" submitted with restricted rights in accordance with subparagraphs (a) through (d) of the Commercial "Computer Software-Restricted Rights" clause at 52.227-19 and its successors; (d) in all respects is proprietary data belonging solely to Real Time Automation, Inc.; (e) is unpublished and all rights are reserved under copyright laws of the United States. For units of the Department of Defense (DoD), this software is licensed only with "Restricted Rights": as that term is defined in the DoD Supplement of the Federal Acquisition Regulation 52.227-7013 (c) (1) (ii), rights in Technical Data and Computer Software and its successors, and: Use, duplication, or disclosures is subject to restrictions as set forth in subdivision (c) (1) (ii) of the Rights in Technical Data and Computer Software clause at 52.227-7013. If this software was acquired under GSA schedule, the U.S. Government has agreed to refrain from changing or removing any insignia or lettering from the Software or documentation that is provided or from producing copies of the manual or media. Real Time Automation, Inc., N26 W23315 Paul Rd Pewaukee, WI 53072

© 2016 Real Time Automation, Inc. All rights reserved.

Wiring and Jumper Configuration Instructions.....	4
Port 0 (Tstrip) Jumper Configurations.....	5
Port 1 (DB9) Jumper Configurations	6
Port 0 & Port 1 RS485 Jumper Configuration	7
Port 0 RS422 & Port 1 RS485 Jumper Configuration	7
Biasing & Termination Jumper Configuration.....	8

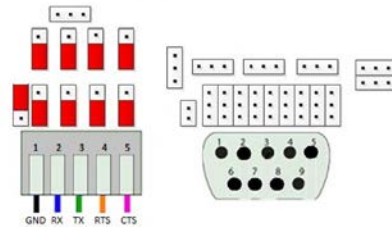
Wiring and Jumper Configuration Instructions

To change port settings on the gateway, use the following steps:

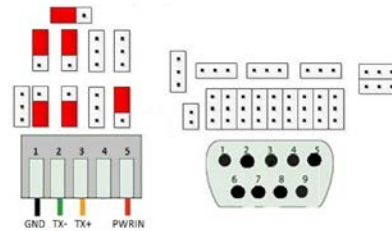
- 1) No cables should be connected to the gateway. If this unit has been in use and you are making a change, disconnect the power cable and any communications cables from the gateway.
- 2) Remove the two small Phillips-head screws from each long side of the gateway (four total). Two of these may be hidden beneath a labeling sticker. This may be removed and replaced.
- 3) Remove the grey T-Strip connector. Slide the cover off towards the ports. The jumpers are just behind the ports.
- 4) Move the jumper shunts to reflect the desired settings.
 - a) In most cases, setup the Port 0 settings & Port 1 settings separately.
- 5) Replace the gateway's cover. Replace the four screws. Replace gray T-Strip connector.

Port 0 (Tstrip) Jumper Configurations

Port 0 (Tstrip) - RS232 Configuration

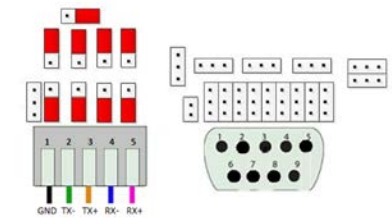


Port 0 (Tstrip) - RS485 Configuration



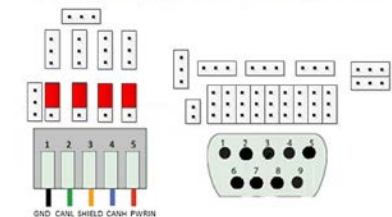
* If Configuring Both Ports for 485/422, Use Alternate Setup.
See 'Port 0 & Port 1 RS485 Configuration' Section.

Port 0 (Tstrip) - RS422 Configuration



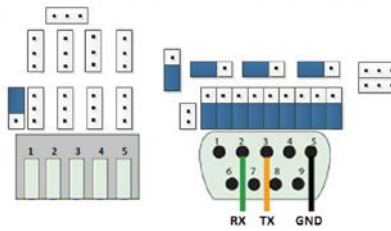
* If Configuring Both Ports for 485/422, Use Alternate Setup.
See 'Port 0 & Port 1 RS485 Configuration' Section.

Port 0 (Tstrip) - CAN Configuration

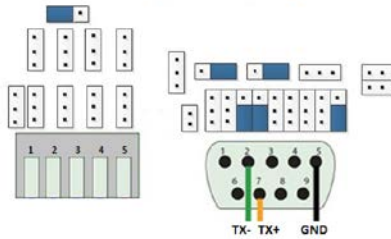


Port 1 (DB9) Jumper Configurations

Port 1 (DB9) - RS232 Configuration

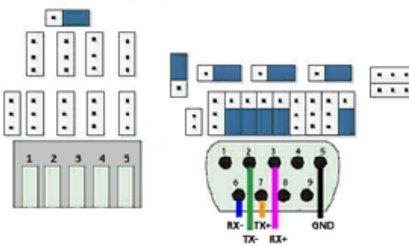


Port 1 (DB9) - RS485 Configuration



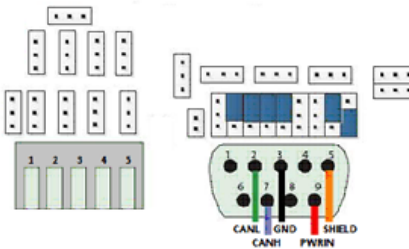
* If Configuring Both Ports for 485/422, Use Alternate Setup.
See 'Port 0 & Port 1 RS485 Configuration' Section.

Port 1 (DB9) - RS422 Configuration



* If Configuring Both Ports for 485/422, Use Alternate Setup.
See 'Port 0 & Port 1 RS485 Configuration' Section.

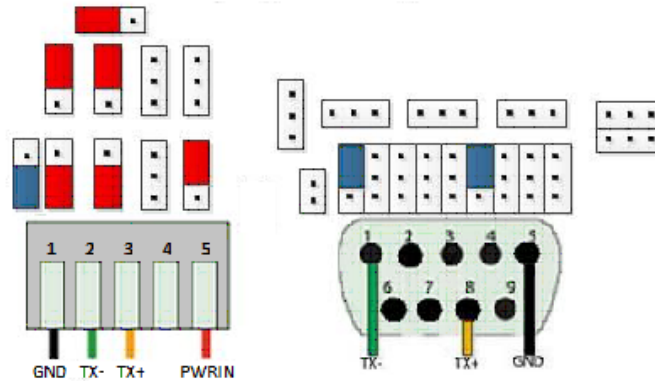
Port 1 (DB9) - CAN Configuration



Port 0 & Port 1 RS485 Jumper Configuration

If you are only configuring one port for RS485/RS422, see the section related to that specific port.

Port 0 (Tstrip) & Port 1 (DB9) - RS485 Configuration

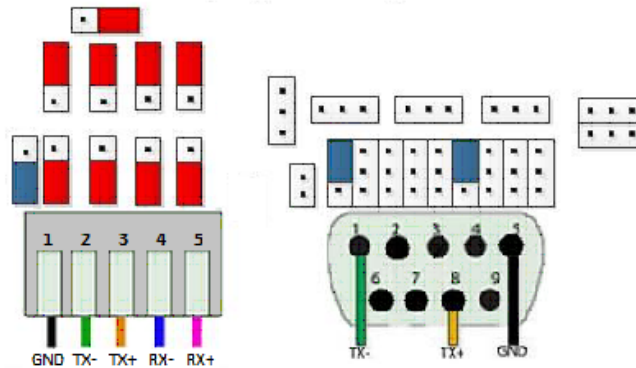


* If configuring only one port for RS485 use that port's setup
See either Port 0 or Port 1 - RS485 Configuration Section

Port 0 RS422 & Port 1 RS485 Jumper Configuration

If you are only configuring one port for RS485/RS422, see the section related to that specific port.

Port 0 (Tstrip) - RS422 & Port 1 (DB9) - RS485 Configuration

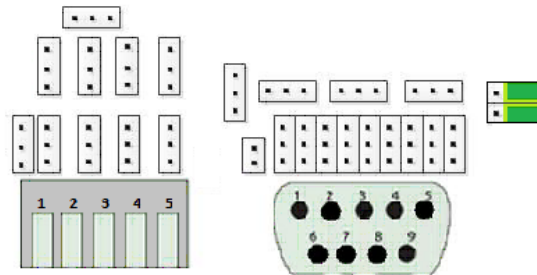


* If configuring only one port for 485/422 use that port's setup

Biassing & Termination Jumper Configuration

Biassing & Termination on this unit may NOT be separated. The two Jumpers that are placed are specifically for Half Duplex & Full Duplex. These do not interfere with each other, so it is best to simply place both jumpers.

Termination & Biassing - RS485 Configuration



Termination & Biassing - RS422 Configuration

