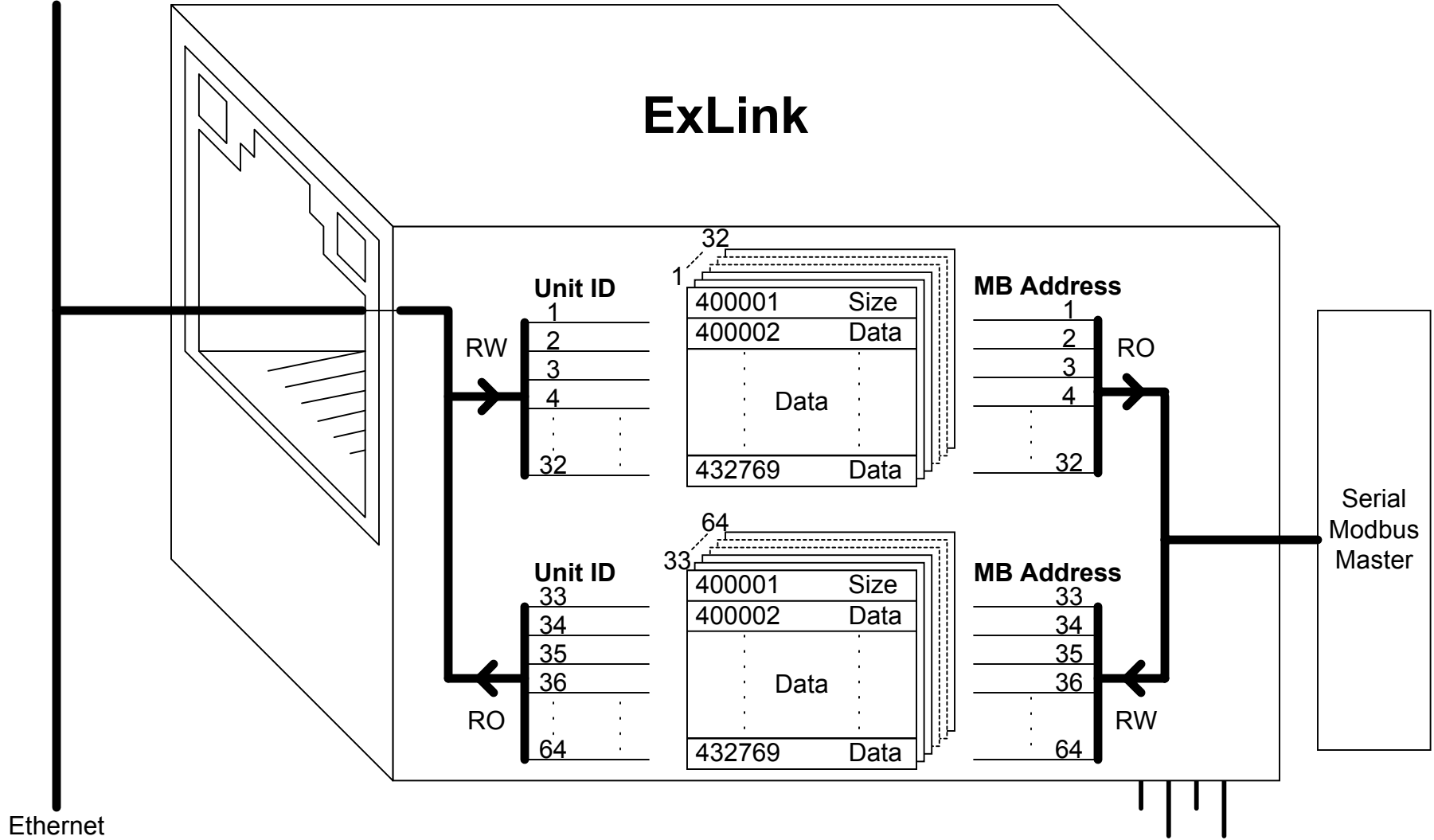


Ethernet

ExLink



Ethernet

CUSTOMER APPROVAL

Signature _____

Date ____/____/____

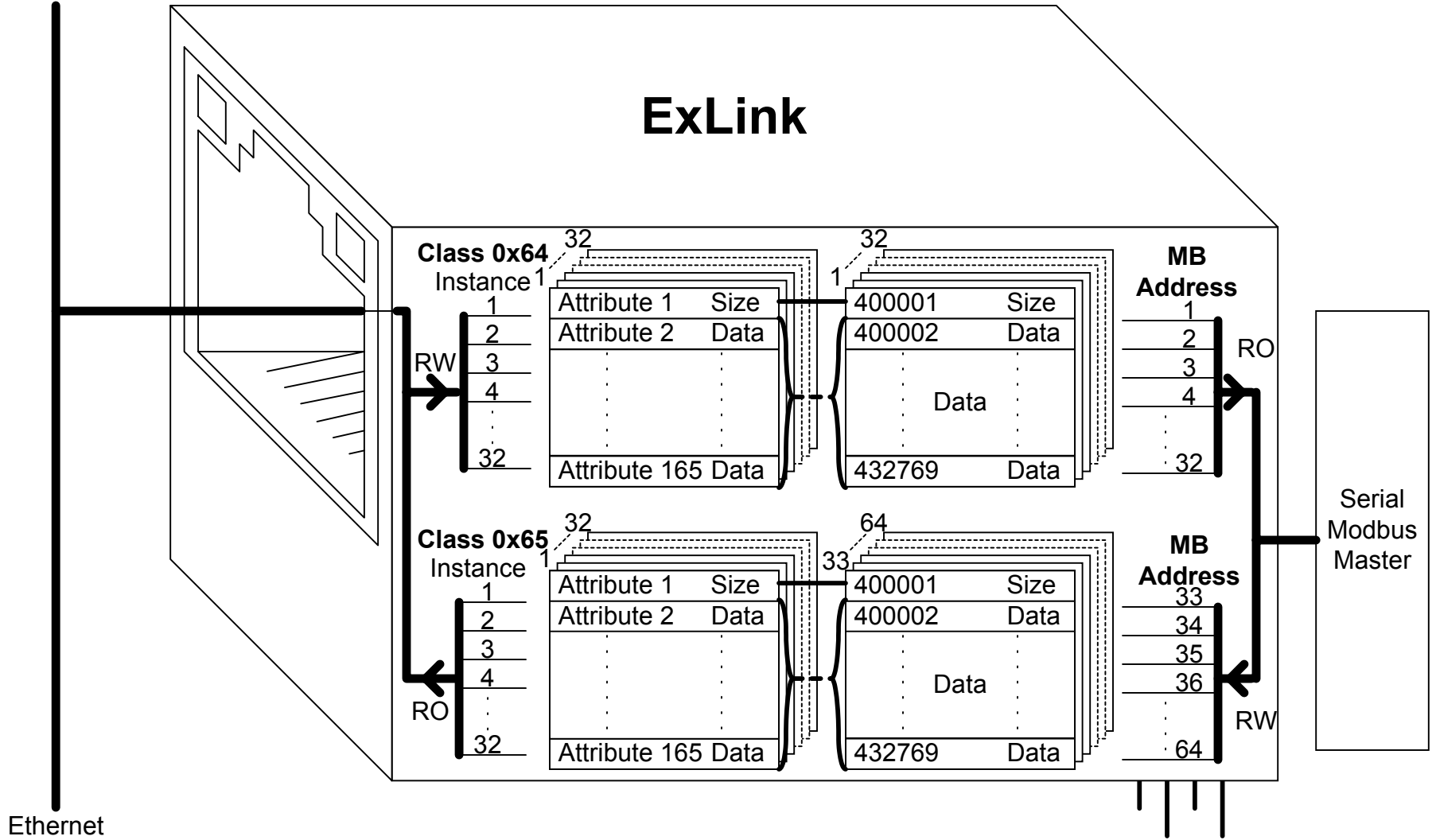
REV.	DESCRIPTION	DATE	BY
A	Initial Revision	02/05	JY



Title ExLink Data Flow Model		Drawing Number 2011C30DFA2	
DESCRIPTION Modbus TCP			
DRAWN BY JY		DATE 02/04/2005	
(c)2005 Real Time Automation			

Ethernet

ExLink



Ethernet

CUSTOMER APPROVAL

Signature _____

Date ____/____/____

REV.	DESCRIPTION	DATE	BY
A	Initial Revision	02/05	JY



Title ExLink Data Flow Model		Drawing Number 2011C30DFA2	
DESCRIPTION Ethernet IP			
DRAWN BY JY		DATE 02/04/2005	
(c)2005 Real Time Automation			